



3030-S21, 3030-L21, 3030-HTB, 3090-A, 3090-AL

Magnetic Pickoff Sensors for PD Meters

Description

Magnetic pickoff sensors are devices which sense the rotation of the magnets in the tips or faces of the Flow Technology positive displacement flowmeter's impellers, and typically produce a low-voltage sine-wave signal whose frequency and amplitude is proportional to the rotational velocity of the impellers. The magnetic pickoff sensor acts essentially like a small generator, producing a current as lines of magnetic flux are cut. These magnetic pickoff sensors are non-powered devices.

3030-S21/3030-L21

Low-drag magnetic pickoff sensor. Supplied with 12-inch integral pigtail signal cable leads. Recommended primarily where close-coupling to a transmitter or local display is required. The 3030-L21 is a longer version of the 3030-S21 pickoff.



3030-HTB

Uses an amphenol quick disconnect for coupling to a separate signal cable. Recommended for operating temperatures from 250° F to 450° F (121° C to 232° C).



3090-A/3090-AL

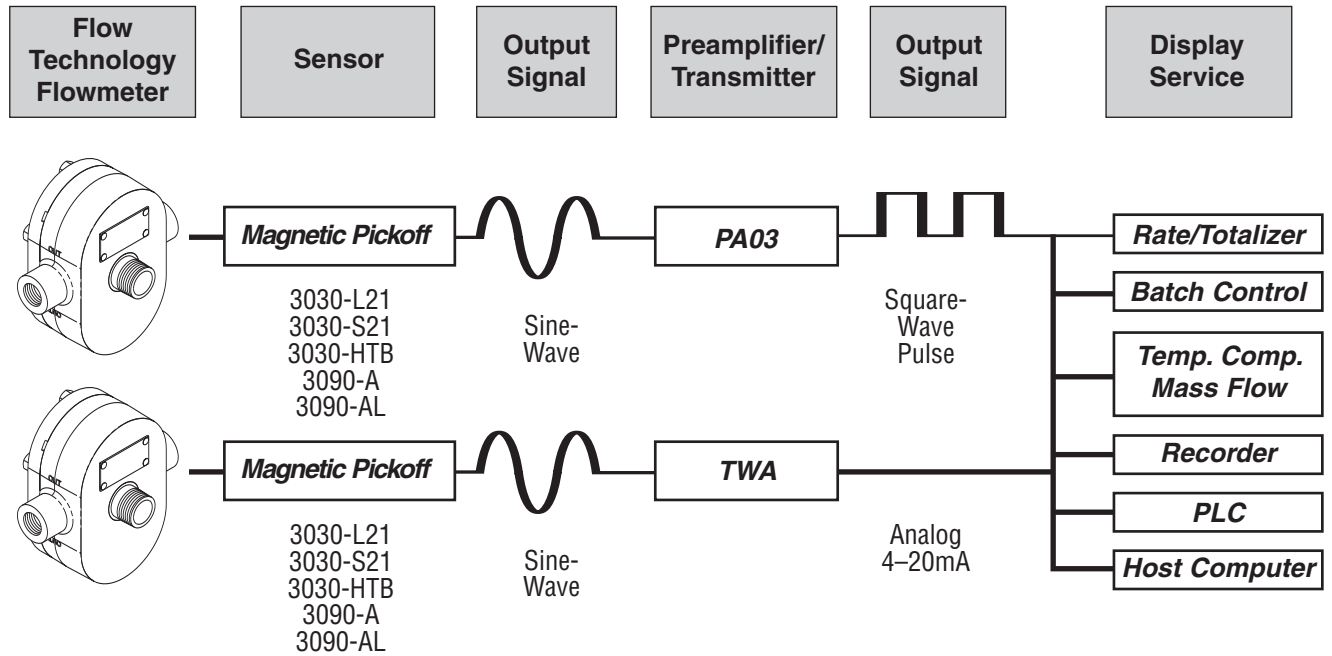
Supplied with an integral 10-foot signal cable. UL-listed and CSA-approved as explosion-proof for Class I, Div. 1, Groups A, B, C & D and Class II, Groups E, F & G. Recommended for applications in hazardous environments and is generally the preferred sensor for the AP-I series flowmeters in hazardous environments.



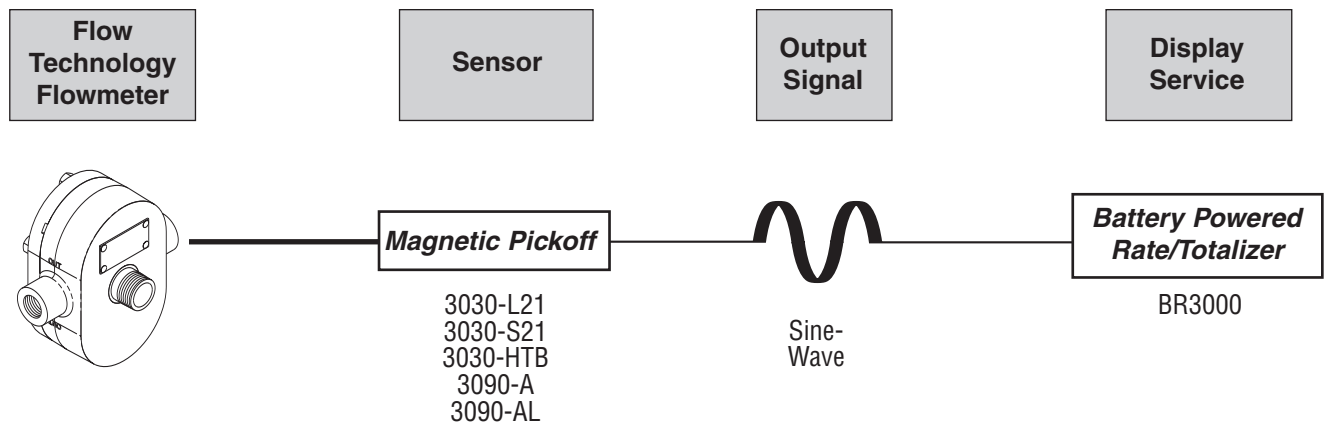
Specifications

Sensor	3030-S21/3030-L21	3030-HTB	3090-A/3090-AL
Operating Principle	Non-pre-amplified	Non-pre-amplified	Non-pre-amplified
Operating Temperature	-150° F to +330° F -101° C to +165° C	-450° F to +450° F -267° C to +232° C	-67° F to +200° F -55° C to +93° C
Maximum Unamplified Signal Trans. Dist.	10 Feet 3.05 Meters	10 Feet 3.05 Meters	10 Feet 3.05 Meters
Max. Turndown (Over 100cP)	100:1 (with SX1000) 100:1 (with PA03) 125:1 (with BR3000) 10:1 (with TWA)	100:1 (with SX1000) 100:1 (with PA03) 125:1 (with BR3000) 10:1 (with TWA)	100:1 (with SX1000) 100:1 (with PA03) 125:1 (with BR3000) 10:1 (with TWA)
Conditions for Use in Hazardous Areas	NEMA 7 in Explosion-Proof Conduit (required)	NEMA 7 in Explosion-Proof Conduit (required)	UL-listed Explosion-Proof
Output Signal Cable(s) Required	12" Integral Leads	30-XX-CBL 10	10' Integral Cable
Shell Material	Stainless Steel	Stainless Steel	Stainless Steel
Output Voltage mV (P-P) (Sine-Wave)	330	290	60
Resistance ohms (max.)	5000	3000	260
Inductance mH (max.)	2500	1500	115
Amplifier or Signal Conditioner Type	SX1000 PA03 TWA BR3000	SX1000 PA03 TWA BR3000	SX1000 PA03 TWA BR3000

Application – Standard Magnetic Pickoff to Preamplifier/Transmitter



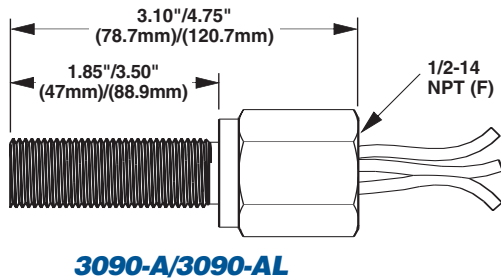
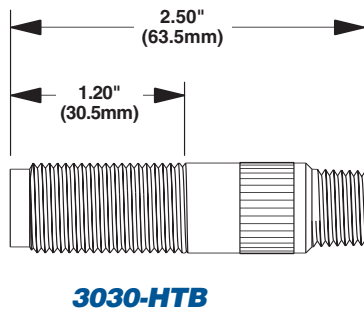
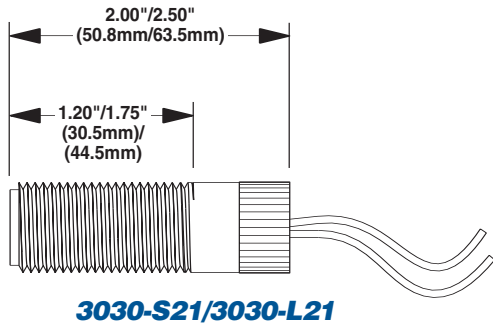
Application – Magnetic Pickoff to BR3000



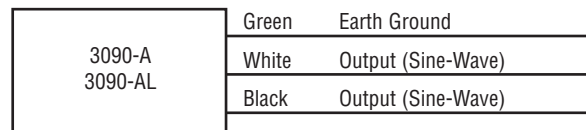
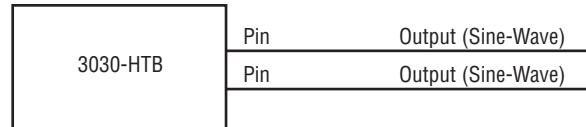
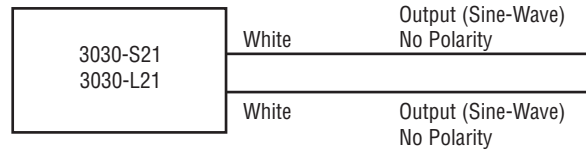
Model Numbering System

3030-L21	Low-drag sensor with 12" integral cable. For use with BL01Z meter.
3030-S21	Low-drag sensor with 12" integral cable
3030-HTB	Sensor (high temperature) with quick disconnect (cable required)
3090-A	Sensor (explosion-proof, UL-listed) with 10-ft. integral cable
3090-AL	Sensor (explosion-proof, UL-listed) with 10-ft. integral cable. For use with BL01Z meter.
30-XX-CBL 10	10-ft. cable 3030-HTB sensors

Dimensions



Installation



All pickoff threads are 5/8-18 UNF

Local Representative:



8930 S. Beck Avenue, Ste 107, Tempe, Arizona 85284 USA
 Tel: (480) 240-3400 • Fax: (480) 240-3401 • Toll Free: 1-800-528-4225
 E-mail: ftimarket@ftimeters.com • Web: www.ftimeters.com

DB 65124 Rev C © 2002 FTI Flow Technology, Inc. Printed in USA