

microLink Display

for use with microLink Smart Pickoff

Description

The microLink Display is an easy to use, compact and light-weight rate/totalizer display to monitor CANbus data from a Flow Technology microLink smart pickoff. The microLink Display is available in two versions, one is for a single flow meter /microLink and the other is for monitoring two flow meters in a net consumption (A-B) configuration. With embedded LED lights, it provides real-time feedback of the communication status.

The microLink Display can be used to change the configuration of a microLink pickoff. These functions include changing the active fluid, resetting the totalizer, and changing the averaging factor. The display brightness and contrast can also be changed to suit the installed environment.

Its compact size is ideally suited for use on low power vehicles and equipment such as small construction machines, generators and agricultural equipment. It can be mounted in a panel or on a bracket.



microLink Display



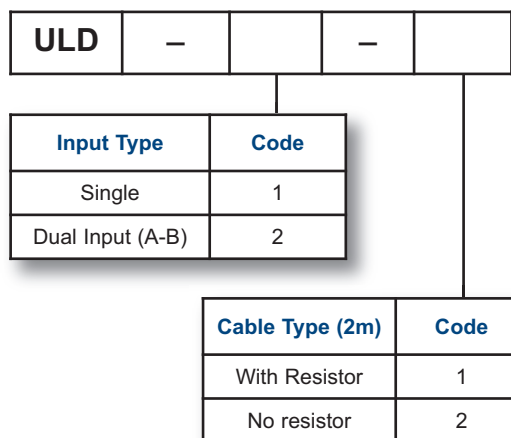
Actual Size

Features

- For use with microLink smart pickoff
- Display of rate, total, temperature, node ID, active fluid index, and active fluid name
- CAN diagnostics
- 10 to 30 VDC power
- Single or A-B display option
- 2.3" high resolution Dot Matrix LCD display
- Fully sunlight readable
- Adjustable brightness and contrast
- Rugged ABS case
- Fully sealed to IP 66 (front) and IP 67 (back)

microLink Display

Model Numbering

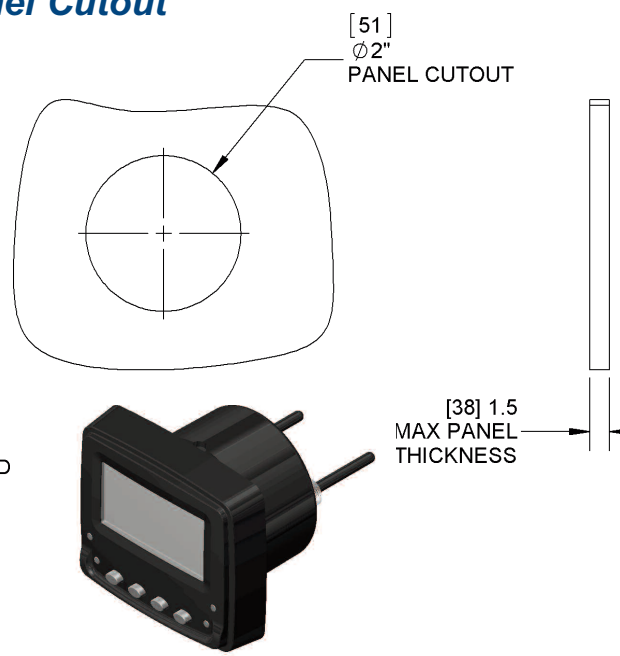


*Because the microLink Display operates on a CANopen network, the bus topology must be compliant with CiA 102. The primary concern is that the bus has proper termination resistors. Typically each end of the bus is terminated with 120 ohm resistors between the CAN HI and CAN LO signal lines. For small networks such as one or two microLink Pickoffs and one microLink Display, a single 62 ohm resistor is often adequate. If the microLink Display is ordered with a mating cable with integrated resistor, no customer-supplied resistors are needed.

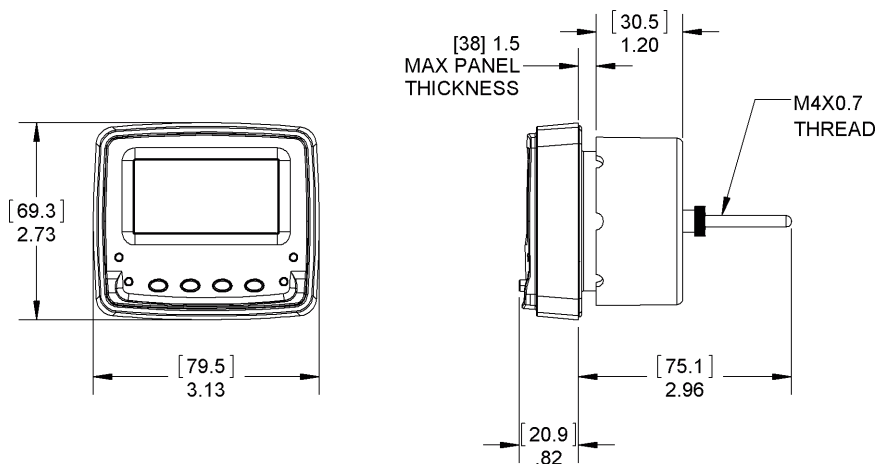
Specifications

Input Power	10 to 30 VDC, 75 mA max
Operating Temperature	-22 °F to +176 °F (-30 °C to +80 °C)
Storage Temperature	-40 °F to +176 °F (-40 °C to +80 °C)
Humidity	0-95% non-condensing
Housing Material	ABS
Display	
Size	2.3" Dot Matrix LCD, transfective
Resolution	128 x 64 pixels
Buttons	4, backlit
Warning Lights	2x Red, 2x Amber
Ingress Protection	Front: IP66 Back: IP67

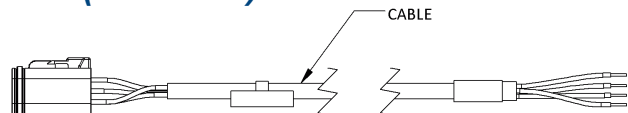
Panel Cutout



Mechanical Dimensions



Cable (included)



Replacement Cable Description	Model
ULD-*-1 cable with resistor, 2m	19-102198-101
ULD-*-2 cable no resistor, 2m	19-102198-102



8930 S. Beck Avenue, Suite 107, Tempe, Arizona 85284 USA
 Tel: (480) 240-3400 • Fax: (480) 240-3401 • Toll Free: 1-800-528-4225
 E-mail: ftimarket@ftimeters.com • Web: www.ftimeters.com