

Decathlon Series

Industrial Flowmeters

Description

The patented Flow Technology Decathlon Series of industrial in-line flowmeters is ideal for a wide variety of liquid flow applications. These applications include, but are not limited to, paints, resins, petrochemicals, lubricants, fuels, polyurethanes and adhesives. These flowmeters are both highly accurate and easily adaptable to most industrial applications.

Features

- 1/8" to 2" line sizes
- Reference accuracy $\pm 0.05\%$ of rate
- Only two moving parts
- Bearingless design
- Easy to install and maintain
- Handles viscosities up to 1,000,000 cP+
- Up to 1000 psig operating pressure
- Operating temperatures up to 400° F (204° C)
- Wide range of applications
- Non-intrusive sensor
- Up to 1000:1 turndown
- Various process connection types available
- Handles pulsating flow streams

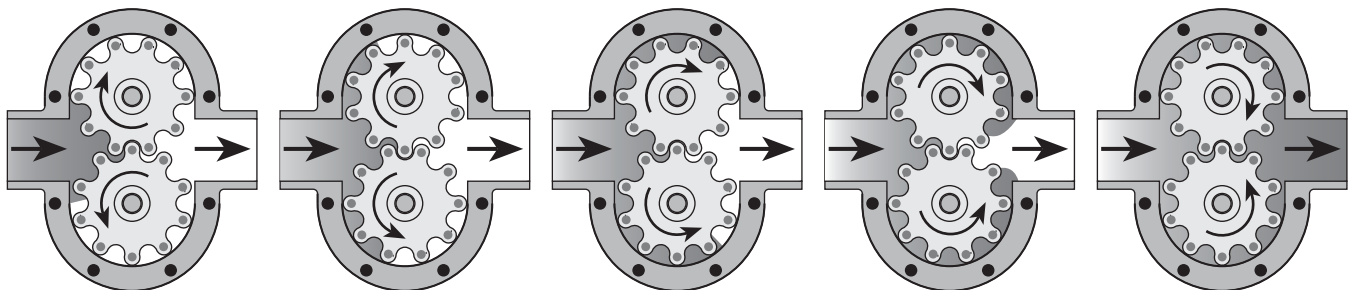


Decathlon Series

Industrial Flowmeters

Protected by one or more U.S. Patents:
4641522, 4815318, 4911010, 4996888, 5027653, 5325715

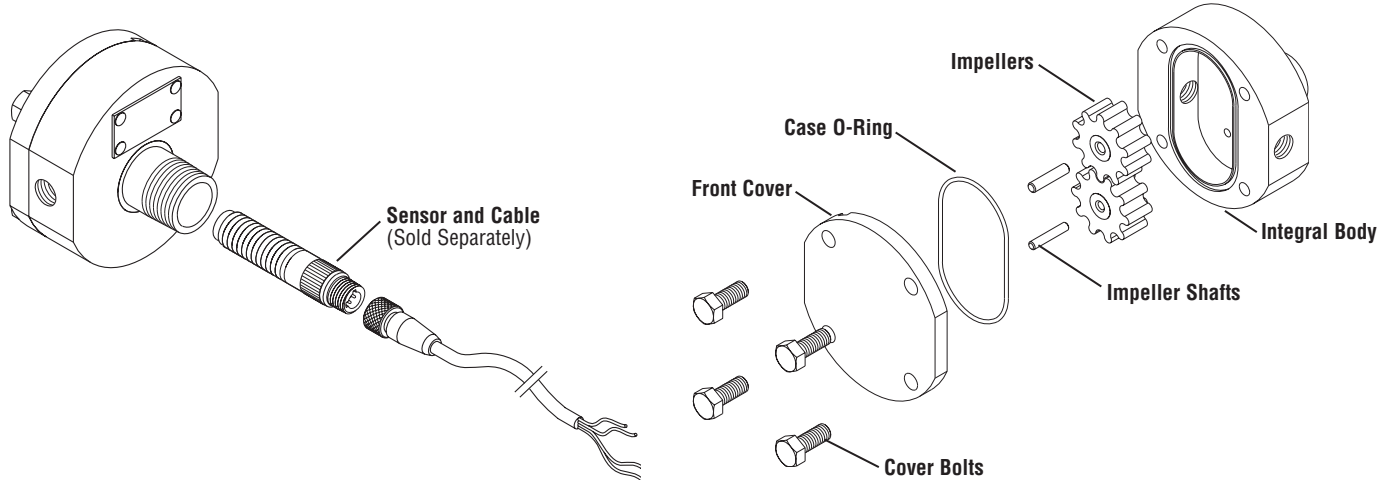
Principle of Operation



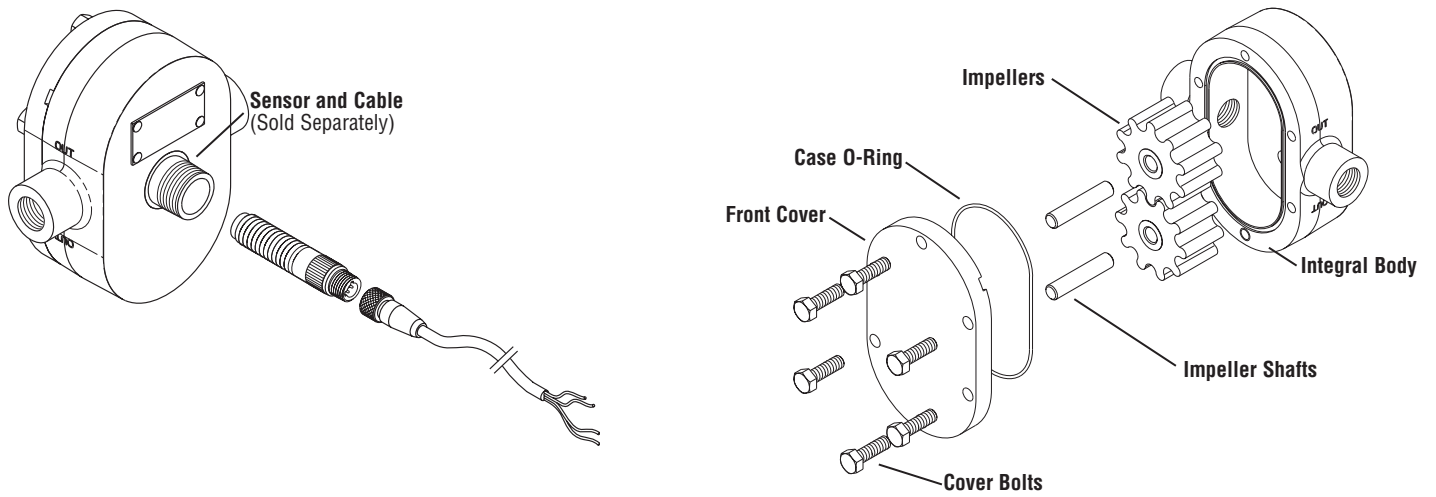
Flow Technology positive displacement flowmeters use two rotating impellers driven by the flowing liquid. Magnets imbedded in the impellers activate a non-intrusive sensor which generates a pulsed output signal. Each pulse represents a known volume of liquid that is captured in between the lobes of the impellers. A K-factor converts the pulses into engineering units for remote data collection and digital display.

Flowmeter Assembly Diagrams

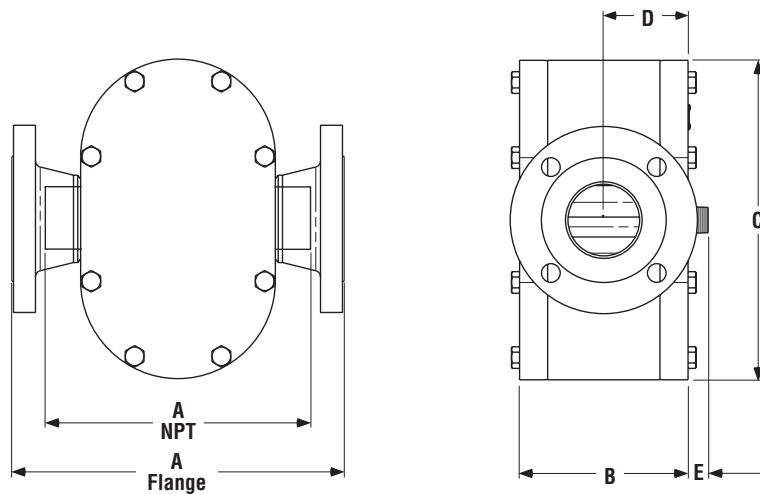
DC01I, DC02I



DC05I, DC10I, DC15I, DC20I



Dimensions



Specifications

Operating Temperature	Up to 400° F (204° C) based on impeller materials	Output	(Refer to individual product sheets for complete specifications)
Operating Pressure	Standard 250 psig max. (1724 kPa) Optional Up to 1000 psig (6895 kPa)	Sensors	
Turndown Ratio	(<i>model's max. rated flow ÷ its minimum flow rate</i>)	<i>Hall Effect Pickoff:</i>	5–24 VDC square-wave pulse depending on supply, 3-wire FM Approved, intrinsically safe
Low viscosity fluids	10:1 standard	<i>Magnetic Pickoff:</i>	10 mV to 10 V sine-wave pulse depending on flow rate, 2-wire Explosion-proof optional
Medium viscosity fluids	100:1 standard	Signal Conditioners and Transmitters	Refer to individual product sheets, available from Flow Technology
High viscosity fluids	Up to 1000:1		
Repeatability	(<i>Reference Accuracy</i>) ±0.05% of rate (repeatability)		
Note:	Each flowmeter is individually calibrated on a ballistic calibrator traceable to NIST in the flow lab on a liquid representing the specific application.		
Linearity		Materials of Construction	
Typical	±0.5% of rate over upper 80% of full span	Body (Case)	316 stainless steel, standard
With enhanced signal conditioning	Up to ±0.1% of rate over full turndown range	Shafts and Cover	316 stainless steel, standard
		Impellers	See Model Numbering System
		O-Rings	Viton® or Teflon® standard
		Bolts and Nuts	316 stainless steel, standard*

* Note: Intermediate pressure flowmeters use zinc plated Grade 8 bolts and nuts; A286 high strength stainless steel optional.

Model Specifications

Basic Model No.	Nominal Size	Maximum Flow Rate		Recommended Mesh Size		Weight			
		GPM	L/min	Mesh	[Particle Dia.]	NPT		150# RF Flange	
	Standard Connection					lbs	kg	lbs	kg
DC01I	1/8" NPT	1	3.79	100	[0.006"]	2.1	1.0	-	-
DC02I	1/4" NPT	3	11.40	100	[0.006"]	3.4	1.5	-	-
DC05I	1/2" NPT	12	45.40	80	[0.007"]	8.5	3.9	11	4.8
DC10I	1" NPT	25	94.60	60	[0.009"]	15	6.7	18	8.3
DC15I	1-1/2" NPT	50	189	60	[0.009"]	26	12	32	15
DC20I	2" NPT	100	379	40	[0.015"]	55	25	67	30

Dimensions

Basic Model No.	A (NPT)		A (150# RFF)		B		C		D		E	
	inches	mm	inches	mm	inches	mm	inches	mm	inches	mm	inches	mm
DC01I	2.9	74	-	-	1.1	28	3.0	76	0.5	12	1.10	28
DC02I	3.3	84	-	-	1.4	36	3.5	89	0.6	16	1.10	28
DC05I	5.4	137	7.4	188	2.2	56	5.6	142	1.1	27	.80	20
DC10I	7.0	178	8.8	224	2.7	69	6.9	175	1.4	35	.80	20
DC15I	6.9	175	10.0	254	3.4	86	8.2	208	1.7	44	.80	20
DC20I	9.5	241	11.8	300	4.5	114	10.8	274	2.3	58	.80	20

Model Numbering System



Basic Model No.

Nominal Size

- 01 = 1/8"
- 02 = 1/4"
- 05 = 1/2"
- 10 = 1"
- 15 = 1 1/2"
- 20 = 2"

Case Material

- 6 = 316 SS* ✓
- 0 = Specify

Shaft Material

- 1 = 316 SS* ✓
- C = Tungsten Carbide
- 0 = Specify

O-Ring Material

- 1 = Viton®*
- 2 = Buna N
- 3 = Chemraz®
- 4 = Kalrez®
- 6 = EPDM
- 9 = Teflon® ✓
- 0 = Specify

Special Designator

000 = Standard Meter*

Connection Size

- 01 = 1/8"
- 02 = 1/4"
- 05 = 1/2"
- 10 = 1"
- 15 = 1 1/2"
- 20 = 2"
- 00 = Specify

Connection Type

- 1 = NPT (Female) §
- 2 = 150# RF Flange
- 6 = 300# RF Flange
- 0 = Specify

Impeller Style (See Chart)

- 5 = Normal Temperature
- A = Normal Temperature, Grooved +
- 0 = Specify

Impeller Material

- 3 = UHMWPE + ✓
- 5 = PPS
- 9 = PTFE
- 0 = Specify

Impeller Normal Temperature Chart

Impeller Material	Operating Temperature	CIP Temperature
PPS	-20° F to +400° F (-29° C to +204° C)	400° F (204° C)
PTFE	-20° F to +250° F (-29° C to +121° C)	250° F (121° C)
UHMWPE	-20° F to +150° F (-29° C to +66° C)	185° F (85° C)

Key

*	Standard Configuration
✓	FDA Compliant
CIP	"Clean in Place," a brief cleaning cycle
+	Not available in size 01 and 02 meters
§	Standard on size 1/8" thru 2" only

Material Guide

Name	Description
316 SS ✓	316 Stainless Steel, 316L has reduced carbon
Buna N	Nitrile
Chemraz®	Elastomeric PTFE by Greene, Tweed & Co. Inc
EPDM	Ethylene Propylene
Kalrez®	Perfluorinated Elastomer, by DuPont
PPS	Polyphenylene Sulfide, Ryton® by Phillips Petroleum
PTFE	Polytetrafluoroethylene, Teflon® by DuPont (Impeller)
Teflon® ✓	Polytetrafluoroethylene, by DuPont (O-Ring Material)
UHMWPE ✓	Ultra High Molecular Weight Polyethylene
Viton®	Fluorocarbon, by DuPont

Specifications are for reference only and are subject to change without notice.

Local Representative:



8930 S. Beck Avenue, Ste 107, Tempe, Arizona 85284 USA
 Tel: (480) 240-3400 • Fax: (480) 240-3401 • Toll Free: 1-800-528-4225
 E-mail: ftimarket@ftimeters.com • Web: www.ftimeters.com