

SL9000/SL9100/SL9200

Flow Computers for Liquid and Gas Applications

Description

The SL Series Flow Computers consist of three panel-mounted display units for use with liquid and gas flowmeters. All units are easily programmed through the front keypad or with a Windows-based PC software program. Each device has multiple assignable outputs allowing tremendous flexibility to set the units up for analog output, batch control and alarms. The display on the flow computers is an easy to read, two-line, twenty-character backlit LCD with a character height of three-tenths of an inch. Measured and calculated parameters can be assigned to the display in an easy to understand format.

Application

The SL9000 Flow Computer is capable of 16-point linearization, providing high accuracy when used with flow meters calibrated over their full extended range. It is designed for use in volumetric liquid and gas applications where temperature and pressure compensation are not required.

The SL9100 is designed for liquid applications where compensation is required for variation in fluid operating temperature. The unit can be configured to display volumetric or mass units of measure with UVC and Strouhal – Roshko temperature compensation for variations in viscosity and density due to temperature.

The SL9200 Flow Computer has the same temperature compensation capability for liquid applications as the SL9100, plus the ability to provide pressure and temperature compensation for gas applications. The absolute viscosity of the gas is corrected for variation in temperature and the density of the gas is calculated using temperature and pressure measurements. The SL9200 can display and output compensated volumetric data in actual or standard units as well as mass units of measure.

Features

For SL9000 Series

- Pulse or sine wave inputs
- 4–20 mA analog output
- Menu-assignable relay alarm outputs
- Batch control relay output (not available on SL9200)
- 16-point linearization capability
- Two-line backlit LCD display
- RS-232 port or optional RS-485



SL9000/SL9100/SL9200 Series

Flow Computers for Liquid and Gas Applications

Features

For SL9000 Series (continued)

- Din enclosure with two-piece wiring connector
- Windows-based PC programming software
- AC- or DC-powered

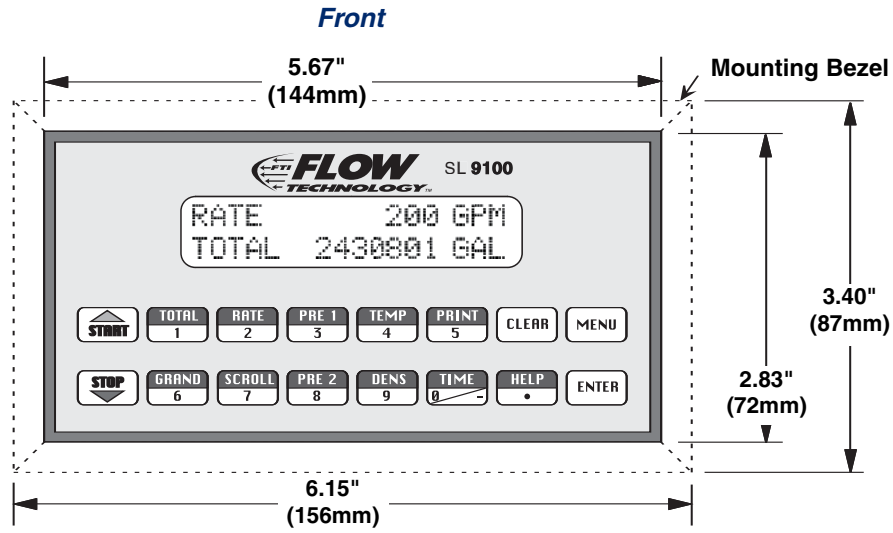
For SL9100 add

- Liquid, temperature compensation for viscosity and density
- Strouhal – Roshko temperature compensation
- 40-point linearization
- Analog and RTD input for temperature
- Volumetric or mass display and output
- Stores temp vs viscosity and density data for up to 10 fluids with fluids selectable from front panel

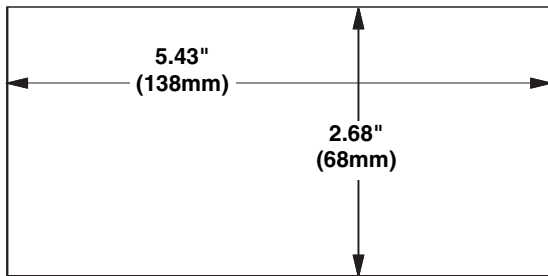
For SL9200 add

- Liquid, temperature compensation for viscosity and density
- Strouhal – Roshko temperature compensation
- Gas, temperature and pressure compensation for viscosity and density
- 40-point linearization
- Analog and RTD input for temperature
- Analog input for pressure
- Volumetric or mass display and output

Dimensions



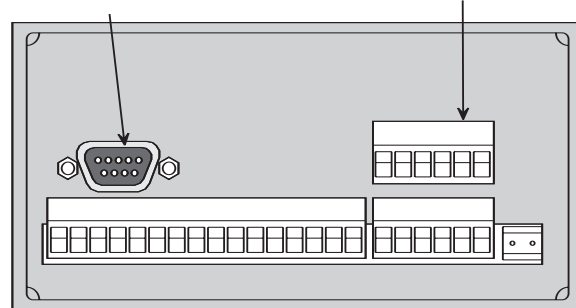
Panel Cut-out



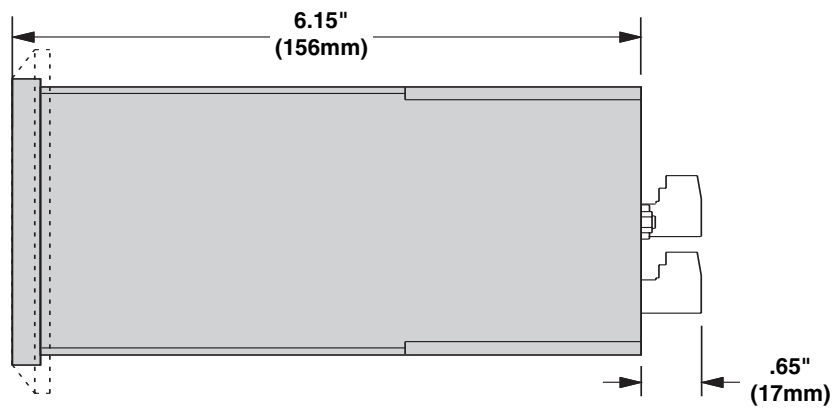
Back

Serial Port RS-232

Optional Relay Contacts (SL9000/SL9100 only)



Side Panel



Specifications

Display 2-line, 20-character backlit, 0.3" high LCD Display

Power
SL9000/SL9100 110 VAC 220 VAC, 12 VDC, 24 VDC,
SL9200 85–276 VAC, 24 VDC

Environmental *
Operating temperature *
Standard: 32° F to +122° F (0° C to +50° C)
Optional: -4° F to 131° F (-20° C to 55° C)
Storage Temperature -40° F to 185° F (-40° C to +85° C)
Humidity 0–95% Non-condensing Materials:
U.L., CSA, VDE approved

Serial Port 9-Pin Connector RS-232 Port
Standard for Bidirectional
Communications with Standard
PC or Optional RS-485

Inputs
Analog (SL9200 only)
Ranges: Voltage: 0–10 VDC, 0–5 VDC, 1–5 VDC
Current: 4–20 mA, 0–20 mA
Basic Measurement
Resolution: 16-bit
Calibration: Self Calibration & Auto-zero
Continuously

Pulse
Number of Flow Inputs: one
Input Impedance: 10 k normal
Pull Up Resistance: 10 k to 5 VDC
Pull Down Resistance: 10 k to common
Minimum Count Speed: User-selectable
Maximum Count Speed: 0 to 50 kHz
Overvoltage Protection: 50 VDC
Fast Transient: Protected to 500 VDC

Compensation: (SL9100/SL9200 only)
(selectable for temp., pressure, density, or not used)
Operation: Ratiometric
Accuracy: 0.02% FS at 20° C
Thermal Drift: Less than 50 ppm/°C
Basic Measurement
Resolution: 16-bit
Update Rate: 1 update/sec minimum
Automatic Fault Detection:
Transient Protection: 500 V
Reverse Polarity: No ill effects
Over-Voltage Limit (Input): 50 VDC
Available Input Ranges:
Voltage: 0–10 VDC, 0–5 VDC, 1–5 VDC
(SL9000 only)
Current: 4–20 mA, 0–20 mA
Resistance: 100 ohms DIN RTD (3-wire)

Control Inputs (SL9000/SL9100 only)
Input Scan Rate 10 scans per second
Logic 1 4–30 VDC
Logic 0 0–0.8 VDC
Transient Suppression 500 V fast transient
Input Impedance 100 k
Pull Down Resistance 10 k soft selectable

Excitation Voltage
Menu-assignable 5, 12 or 24 VDC @ 100mA
(SL9200: 24 VDC)

Outputs
Relay Outputs
(Batch control not available for SL9200)
(Menu-assignable to Low Rate Alarm, Hi Rate Alarm, Prewarn
Alarm, Preset Alarm, Pulse Output or General Purpose Warning)
Number of Relays
SL9000/SL9100: 2 Standard, 2 Additional Optional
SL9200: 2 Standard
Contact Style Form C contacts
Contact Ratings 240 V, 5 amp; 30 VDC @ 5 amps
Fast Transient Threshold 1000 V

Analog Outputs
Menu-assignable to correspond to the Uncompensated Volume
Rate, Corrected Volume Rate, Mass Rate, Temperature, Density,
Pressure. (Dependent on Unit Options)

Type Isolated Current Sourcing
Available Ranges 0–20 mA, 4–20 mA (menu-selectable)
Resolution 12-bit (SL90 & SL91), 16-bit (SL92)
Accuracy 0.05% FS at 20° C
Update Rate 1 update/sec (SL90 & SL91)
5 update/sec (SL92)
Temperature Drift Less than 200 ppm/°C
Maximum Load 1000 ohms
Compliance Effect Less than .05% Span 60 Hz
Rejection 40 dB minimum
EMI No effect at 3 V/M
Calibration Operator Assisted Learn Mode
Averaging User entry of DSP Averaging
constant to cause smooth
control action

Isolated Pulse Output
Menu-assignable to Uncompensated Volume Total, Compensated
Volume Total or Mass Total. (Dependent on Unit Options)

Pulse Output Form Photo Mos Relay (SL90 & SL91)
Open Collector NPN (SL92)
Maximum On Current 25 mA (SL90 & SL92), 100 mA
(SL91)
Maximum Off Voltage 30 VDC
Saturation Voltage 1.0 VDC (SL90 & SL92), 0.4 VDC
(SL91)
Maximum Off Current 0.1 mA
Pulse Duration User-Selectable
Fault Protection
Reverse Polarity: Shunt Diode
Over-current Protected
Over-voltage Protected
Transient Protection: 500 VDC

Approvals
CE marked compliant w/
EMC directive
89/336/EEC (1989) Light
Industrial Class I

Enclosures
NEA1287JFG One or two controller mounting
NEA18149JFG Up to three controller mounting

Model Numbering System

S L 9 0 - - -

Flow Computer

90 = SL9000

Operating Voltage

1 = 110 VAC*
2 = 220 VAC
3 = 12 VDC
4 = 24 VDC

Control Outputs

A = 2 Form C; SPDT Relays*
B = 4 Form C; SPDT Relays

Options

Blank = Standard*
2 = RS-485 Modbus
ET = Extended Temperature Range
-4° F to 131° F
(-20° C to 55° C)

S L 9 1 - L - - -

Flow Computer

91 = SL9100

Display

LCD

Operating Voltage

1 = 110 VAC*
2 = 220 VAC
3 = 12 VDC
4 = 24 VDC

Control Outputs

A = 2 Form C; SPDT Relays*
B = 4 Form C; SPDT Relays

Options

Blank = Standard*
2 = RS-485 Modbus
ET = Extended Temperature Range
-4° F to 131° F
(-20° C to 55° C)

S L 9 2 - L - - -

Flow Computer

92 = SL9200

Display

LCD

Operating Voltage

1 = 85-276 VAC*
3 = 24 VDC

Options

Blank = Standard*
1 = RS-485 Modbus
ET = Extended Temperature Range
-4° F to 131° F (-20° C to 55° C)

*Standard Configuration

Rear Panel Terminal Allocation

SL90

1	DC OUTPUT		
2	PULSE IN 1		FLOW IN
3	PULSE IN 2		
4	COMMON		
5	DO NOT USE		
6	DO NOT USE		
7	DO NOT USE		
8	DO NOT USE		
9	CNTR IN 1		
10	CNTR IN 2		SEE USER MANUAL
11	CNTR IN 3		
12	COMMON		
13	PULSE OUTPUT (+)		
14	PULSE OUTPUT (-)		
15	ANALOG OUTPUT (+)		0-20mA or
16	ANALOG OUTPUT (-)		4-20mA
17	NC	25	NC
18	COM RLY1	26	COM RLY3
19	NO	27	NO
20	NO	28	NC
21	COM RLY2	29	COM RLY4
22	NO	30	NO
23	AC LINE	DC (+)	POWER IN
24	AC LINE	DC (-)	

SL91

1	DC OUTPUT		
2	PULSE IN 1		FLOW IN
3	PULSE IN 2		
4	COMMON		
5		Vin (+)	
6	RTD EXCIT (+)		COMP. IN
7	RTD SENS (+)		
8	RTD SENS (-)	lin (+)	
9	CNTR IN 1		
10	CNTR IN 2		SEE USER MANUAL
11	CNTR IN 3		
12	COMMON		
13	PULSE OUTPUT (+)		
14	PULSE OUTPUT (-)		
15	ANALOG OUTPUT (+)		4-20mA
16	ANALOG OUTPUT (-)		
17	NC	25	NC
18	COM RLY1	26	COM RLY3
19	NO	27	NO
20	NO	28	NC
21	COM RLY2	29	COM RLY4
22	NO	30	NO
23	AC LINE	DC (+)	POWER IN
24	AC LINE	DC (-)	

SL92

1	DC OUTPUT		
2	PULSE IN	Vin +	FLOW IN
3	-----		
4	COMMON		
5	RTD EXCIT (+)		TEMPERATURE IN
6	RTD SENS (+)		
7	RTD SENS (-)		
8	DC OUTPUT		
9	RTD EXCIT (+)		PRESSURE (TEMP 2)
10	RTD SENS (+)		
11	RTD SENS (-)		4-20mA IN
12	PULSE OUTPUT (+)		
13	PULSE OUTPUT (-)		
14	ANALOG OUTPUT 1 (+)		
15	ANALOG OUTPUT 2 (+)		
16	ANALOG OUTPUT COMMON (-)		
17	NO		
18	COM RLY1		
19	NC		
20	NO		
21	COM RLY2		
22	NO		
23	AC LINE	DC (+)	POWER IN
24	AC LINE	DC (-)	

Specifications are for reference only and are subject to change without notice.

Local Representative:



8930 S. Beck Avenue, Ste 107, Tempe, Arizona 85284 USA
Tel: (480) 240-3400 • Fax: (480) 240-3401 • Toll Free: 1-800-528-4225
E-mail: ftimarket@ftimeters.com • Web: www.ftimeters.com